



360° CEILING MOUNT
PASSIVE INFRARED
DETECTOR

WONDEREX

FX-360

 LISTED  LISTED: G196506

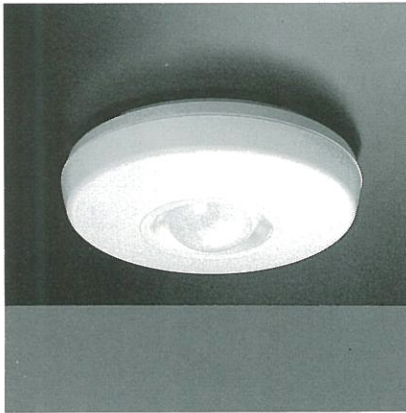


COST EFFECTIVE PERFECTION.

The FX-360 Ceiling Mount Detector with its Unique, Highly, Durable Spherical Lens Offers Unparalleled 360° Detection Performance and Reliability.

The FX-360 is an extremely cost effective 360° ceiling mount detector. It provides the most unbeatable detection performance and reliability in its class. The FX-360's sleek and compact design suits all types of installation applications.

WONDEREX FX-360



FEATURES

■Originally Designed Hard Spherical Lens

The FX-360's hard spherical lens is designed with precision—an original feature that enables this detector to provide reliable detection throughout its 360° area.

■False Alarm Protection

The FX-360 prevents false alarms caused by environmental changes or insensitivity to high temperatures.

- RFI Protection
No alarm at 20V/m from 100MHz. to 1GHz.
- Temperature Protection
No alarm during temperature changes from -4° to +122°F at 3°F/min. (-20° to +50°C at 1.7°C/min.)
- Noise Reduction Circuit.
- Selectable Pulse Count: 2,4.

■Advanced Quality Control

- Computerized S.M.D. Technology
Using robotics to mount miniaturized chip components ensures a smooth and uniform production level of high quality.
- Running Test on every circuit board
All circuit boards sustain a "Burn-in" test for many hours.

■Other Features

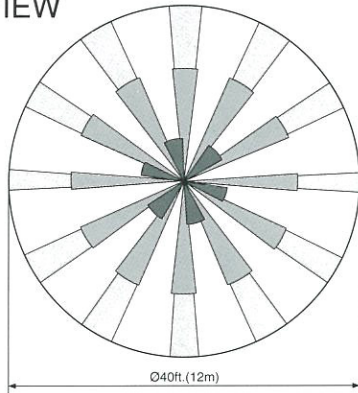
- LED On/Off Switch
- Warm-up Indicator

■Versions

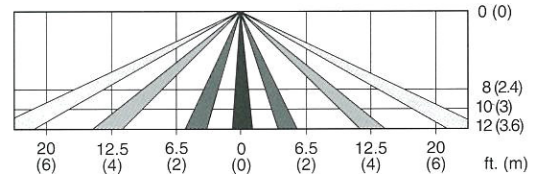
- FX-360: Standard
- FX-360V: Alarm Memory and Patented Double Conductive Shielding of Pyro Element

DETECTION PATTERNS

TOP VIEW



SIDE VIEW



Max. Detection AREA

| | | | |
|--|------------|------------|-------------|
| Installation Height ft.(m) | 8 (2.4) | 10 (3) | 12 (3.6) |
| Detection Area (Diameter) ft.(m) | 25 (8) | 32 (10) | 40 (12) |

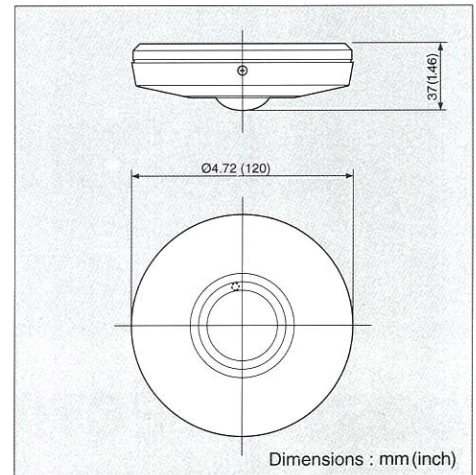
SPECIFICATIONS

| | |
|-----------------------|--|
| Model | FX-360 |
| Detection method | Passive Infrared |
| Coverage | ø25ft.~ø40ft.(ø8m~ø12m) Height: 2.4m~3.6m(8ft.~12ft.) |
| Detection zones | 62 zones |
| Sensitivity | 1.6°C(3°F) at 0.6m/sec.(2ft./sec.) |
| Detectable Speed | 0.3~1.5m/sec. (1~5ft./sec.) |
| LED indicator | LED blinks during warm-up period Alarm indicator optional |
| Alarm period | 2.0±0.5sec. |
| Alarm output | N.C. 28V DC 0.2A max. |
| Tamper switch | N.C. Opens when cover removed. |
| Pulse count | 20±5sec. 2 or 4 |
| Warm-up period | Approx. 30sec. (LED blinks) |
| Power input | 9.5~18V DC |
| Current draw | 17mA/(normal) 18mA/(max.) |
| Weight | 140g(4.90oz.) |
| Operating temperature | -20°C~+50°C(-4°F~+122°F) |
| Environment humidity | 95% max. |
| RF interference | No Alarm 20 V/m |

| | |
|--------------------------|----------------------------|
| L Version (Alarm Memory) | |
| Model | FX-360L(P) |
| Alarm memory | System armed: +5~20V DC |
| Current draw | 17mA/(normal) 25mA/(max.) |
| Weight | 140g(4.90oz.) |

| | |
|--------------|-------------------------------------|
| V Version | |
| Model | FX-360V |
| Power input | 6~18V DC |
| Alarm memory | System armed: 0~1V DC (grounded) |
| Current draw | 13mA/(normal) 25mA/(max.) |
| Weight | 140g(4.90oz.) |

DIMENSIONS



NOTE: This unit is designed to detect movement and activate an alarm control panel. Being only a part of a complete system, we cannot assume responsibility for theft or damages, should they occur.

REG LISTED: FX-360, FX-360S LISTED: FX-360V-G196506



OPTEx CO., LTD. (ISO 9001 Certified by LRQA)
4-7-5 Nionohama Otsu, 520-0801 Japan
TEL (077) 524-6047 FAX (077) 522-9022
<http://www.optex.co.jp/e/sec/index.html>

OPTEx INCORPORATED
1845W, 205th Street Torrance, CA 90501-1510 U.S.A.
TEL (310) 533-1500 FAX (310) 533-5910
<http://www.optexamerica.com>

OPTEx (EUROPE) LTD. (ISO 9002 Certified by NOA)
Unit 9, Four Seasons Crescent, Sutton, Surrey, SM3 9QR, UK
TEL (02082)542222 FAX (02086)410017
<http://www.optexeurope.com> No. 75069-02-5438-0302



"Take Care of the Environment"
This catalogue uses recycled paper